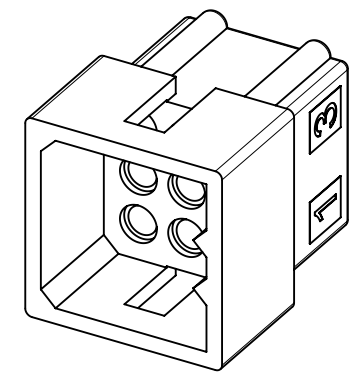
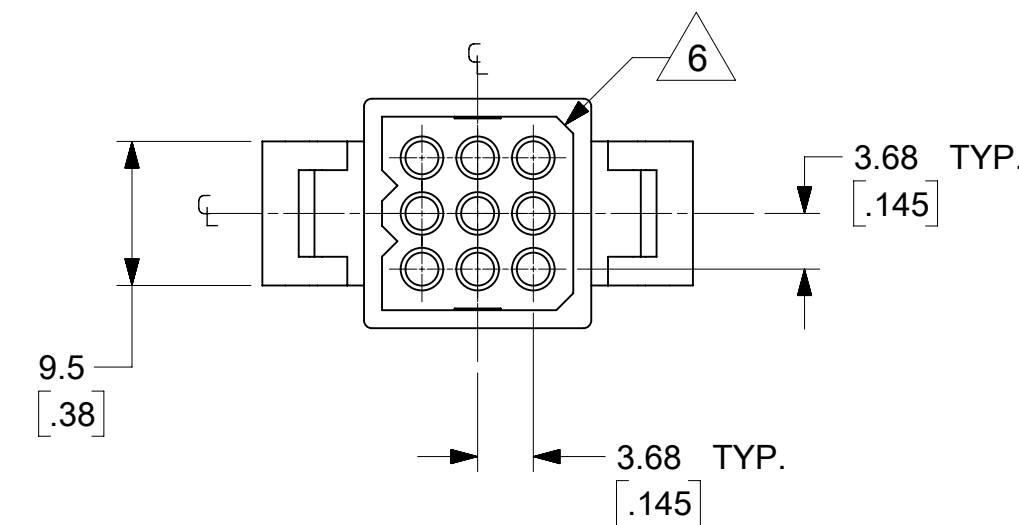
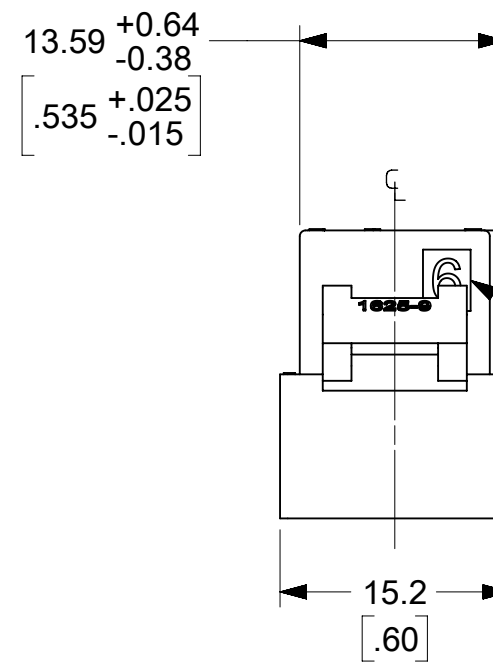
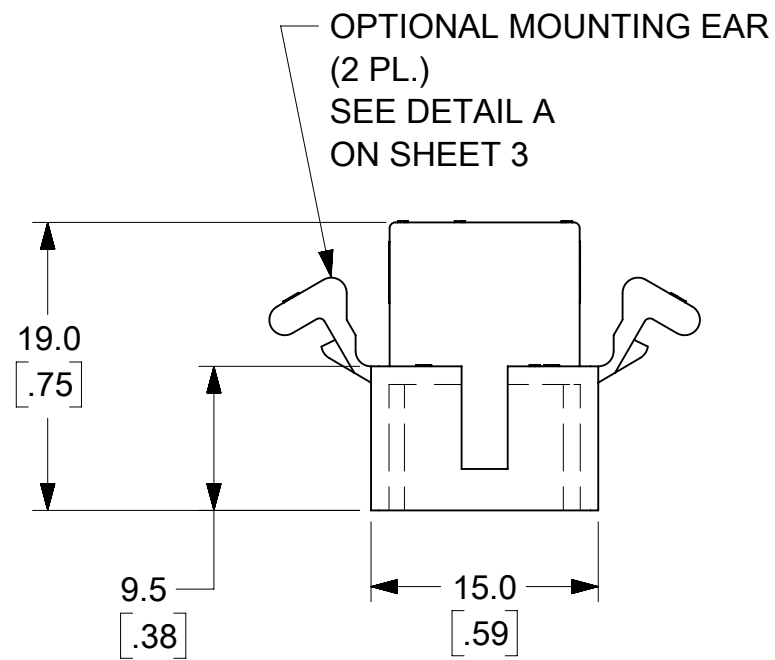
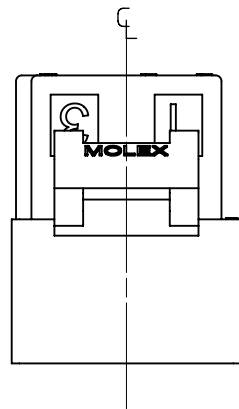


PREBENT MOUNTING EARS

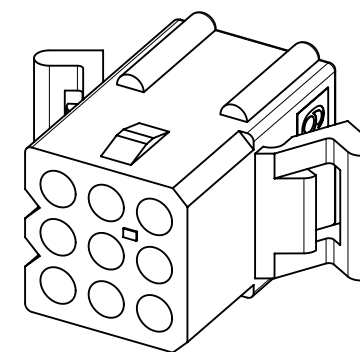
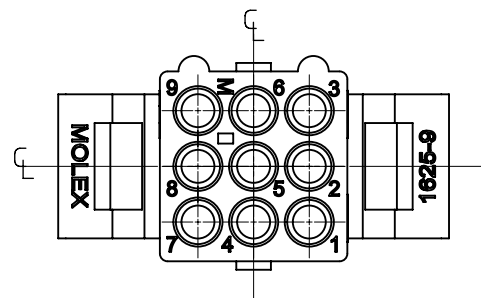


NO MOUNTING EARS

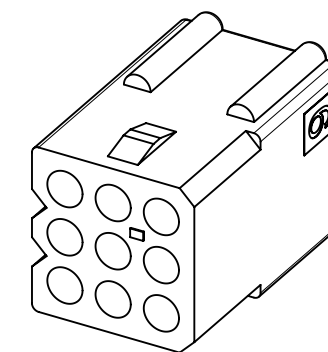


PLUG

THIS DRAWING CONTAINS INFORMATION THAT IS PROPRIETARY TO MOLEX ELECTRONIC TECHNOLOGIES, LLC AND SHOULD NOT BE USED WITHOUT WRITTEN PERMISSION										
QUALITY SYMBOLS	CHG TO GEN MRKT 2017/10/02	DRWN: AZAHIROVIC 2017/10/02	CHK'D: MKIPPER 2017/10/02	REV APPR: FSMITH 2017/10/13	GENERAL TOLERANCES (UNLESS SPECIFIED)		DIMENSION UNITS	SCALE		
					MM	INCH	MM/IN	2:1		
∇ = 0	EC NO: 122809				4 PLACES	±	±	DRWN BY	DATE	.062 9CKT PLUG AND RECEPTACLE HOUSING
∇ = 0					3 PLACES	±	± 0.01	ZHARPER	2017/07/14	
∇ = 0					2 PLACES	± 0.25	± 0.014	CHK'D BY	DATE	PRODUCT CUSTOMER DRAWING
∇ = 0					1 PLACES	± 0.36	±	MKIPPER	2017/07/24	
∇ = 0					0 PLACES	±	±	APPR BY	DATE	SERIES: 1625 MATERIAL NUMBER: SEE CHART CUSTOMER:
∇ = 0					ANGULAR TOL ± 0.5		DRAWING SIZE	THIRD ANGLE PROJECTION	FSMITH	
∇ = 0					DRAFT WHERE APPLICABLE MUST REMAIN WITHIN DIMENSIONS		B		DOCUMENT NUMBER: 16250901-SD	
∇ = 0									DOC TYPE: PSD	DOC PART: 000
										SHEET NUMBER: 1 OF 3

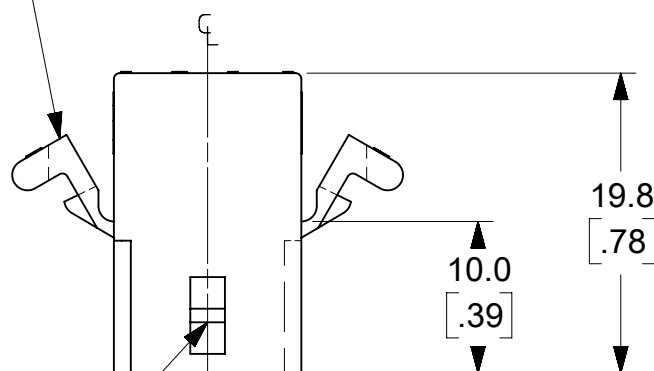
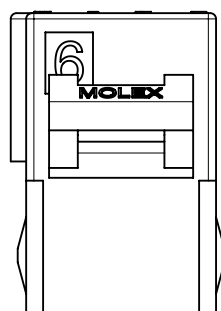


PREBENT MOUNTING EARS

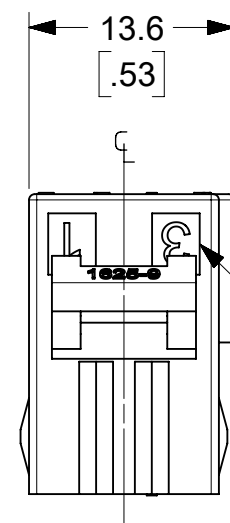


NO MOUNTING EARS

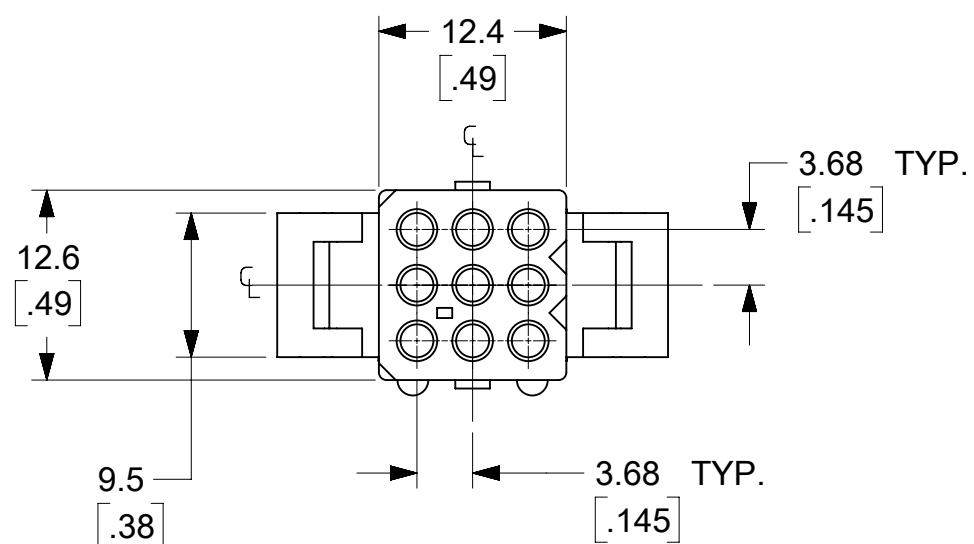
OPTIONAL MOUNTING EARS
(2 PL.)
SEE DETAIL A
ON SHEET 3



PASSIVE LOCK



CIRCUIT I.D. (3-PL)



RECEPTACLE



.062 9CKT PLUG AND RECEPTACLE HOUSING

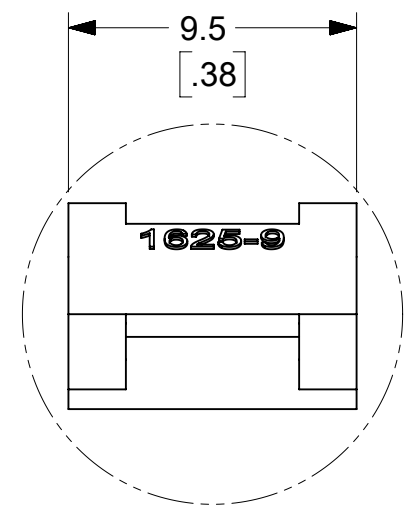
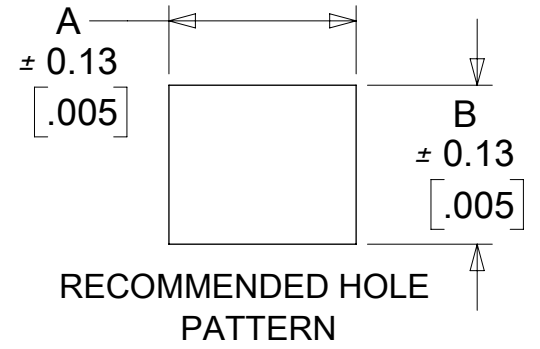
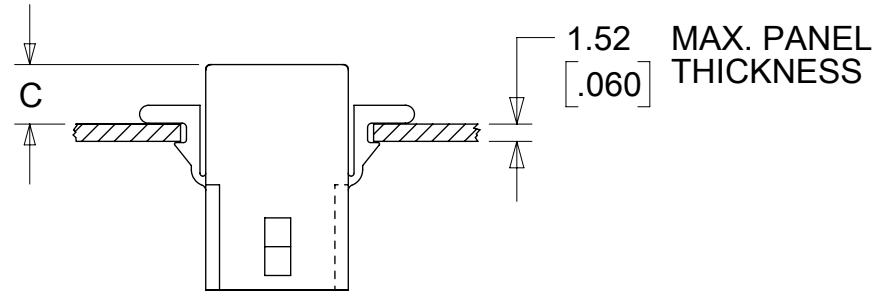
PRODUCT CUSTOMER DRAWING

QUALITY SYMBOLS 	THIS DRAWING CONTAINS INFORMATION THAT IS PROPRIETARY TO MOLEX ELECTRONIC TECHNOLOGIES, LLC AND SHOULD NOT BE USED WITHOUT WRITTEN PERMISSION				GENERAL TOLERANCES (UNLESS SPECIFIED) DIMENSION UNITS: MM/IN SCALE: 2:1				
	4 PLACES ± ± 3 PLACES ± ± 0.01 2 PLACES ± 0.25 ± 0.014 1 PLACES ± 0.36 ± 0 PLACES ± ±		DRWN BY: ZHARPER DATE: 2017/07/14		.062 9CKT PLUG AND RECEPTACLE HOUSING				
	CHG TO GEN MRKT EC NO: 122809 DRWN: AZAHIROVIC CHK'D: MKIPPER REV APPR: FSMITH		CHK'D BY: MKIPPER DATE: 2017/07/24					PRODUCT CUSTOMER DRAWING	
	ANGULAR TOL ± 0.5 DRAFT WHERE APPLICABLE MUST REMAIN WITHIN DIMENSIONS		APPR BY: FSMITH DATE: 2017/07/31		SERIES: 1625 MATERIAL NUMBER: SEE CHART CUSTOMER:				
A1		B		DRAWING SIZE: B THIRD ANGLE PROJECTION			DOCUMENT NUMBER: 16250901-SD DOC TYPE: PSD DOC PART: 000 SHEET NUMBER: 2 OF 3		

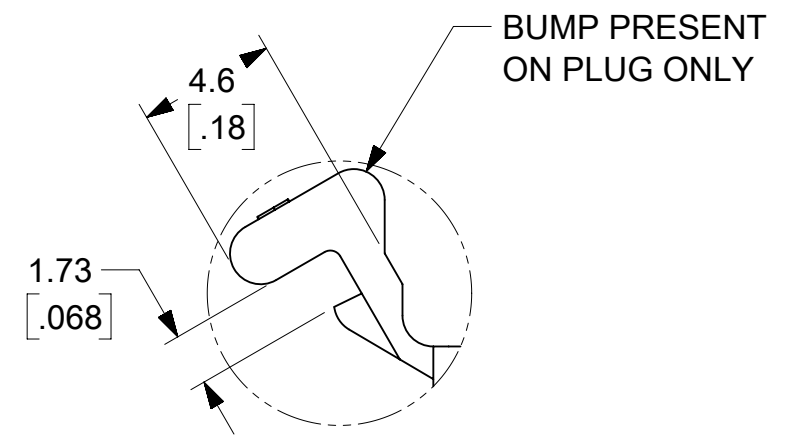
9 CIRCUIT PLUG		
PART NO.	ENG. NO.	EARS
46999-0718	1625-9P4-1	PREBENT

9 CIRCUIT RECEPTACLE		
PART NO.	ENG. NO.	EARS
50-36-2281	1625-9R4-1	PREBENT

RECEPTACLE	16.51 [.650]	14.02 [.552]	5.6 [.22]
PLUG	19.10 [.752]	15.62 [.615]	5.3 [.21]
PART	DIM. A	DIM. B	DIM. C PREBENT EAR



DETAIL B
PREBENT MOUNTING EAR
SCALE 4:1



DETAIL A
PREBENT MOUNTING EAR
SCALE 4:1

NOTES:

1. MATERIAL: NYLON (PA 6), UL94V-2, GLOW WIRE CAPABLE PER IEC 60335-1, COLOR: BLACK
2. FINISH: NONE
3. PRODUCT SPECIFICATION: PS-02-06
4. PACKAGING SPECIFICATION: PK-1625-003
5. HOUSINGS FOR USE WITH MOLEX .062 DIAMETER TERMINALS.
6. SOME PARTS MAY HAVE THIS CORNER CHAMFERED.
7. CIRCUIT I.D. NUMBERS APPEAR ONLY ON TOOLS BUILT AFTER 1992/11/01
8. PARTS CONFORM TO CLASS B REQUIREMENTS OF COSMETIC SPECIFICATION PS-45499-002 WITH THE EXCEPTION OF SINK AND DISCOLORATION MEET CLASS 'C' REQUIREMENTS.
9. THIS DRAWING REPLACES SD-1625-9**

QUALITY SYMBOLS	THIS DRAWING CONTAINS INFORMATION THAT IS PROPRIETARY TO MOLEX ELECTRONIC TECHNOLOGIES, LLC AND SHOULD NOT BE USED WITHOUT WRITTEN PERMISSION										
∇ = 0	CHG TO GEN MKRT EC NO: 122809 DRWN: AZAHIROVIC CHK'D: MKIPPER REV APPR: FSMITH 2017/10/02 2017/10/02 2017/10/13	GENERAL TOLERANCES (UNLESS SPECIFIED)				DIMENSION UNITS		SCALE			
∇ = 0		MM		INCH		MM/IN		2:1			
∇ = 0		4 PLACES	±	±	DRWN BY		DATE		.062 9CKT PLUG AND RECEPTACLE HOUSING PRODUCT CUSTOMER DRAWING SERIES: 1625 MATERIAL NUMBER: SEE CHART CUSTOMER:		
∇ = 0		3 PLACES	±	± 0.01	ZHARPER		2017/07/14				
∇ = 0		2 PLACES	± 0.25	± 0.014	CHK'D BY		DATE				
∇ = 0		1 PLACES	± 0.36	±	MKIPPER		2017/07/24				
∇ = 0		0 PLACES	±	±	APPR BY		DATE		DOCUMENT NUMBER: 16250901-SD DOC TYPE: PSD DOC PART: 000 SHEET NUMBER: 3 OF 3		
∇ = 0		ANGULAR TOL ± 0.5				DRAWING SIZE		THIRD ANGLE PROJECTION			
∇ = 0		DRAFT WHERE APPLICABLE MUST REMAIN WITHIN DIMENSIONS				B					