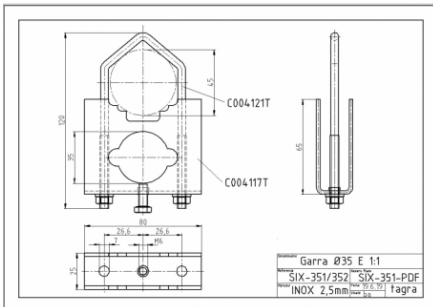
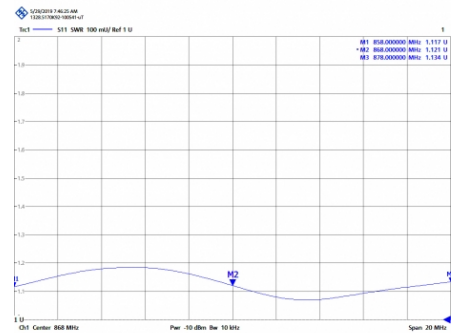


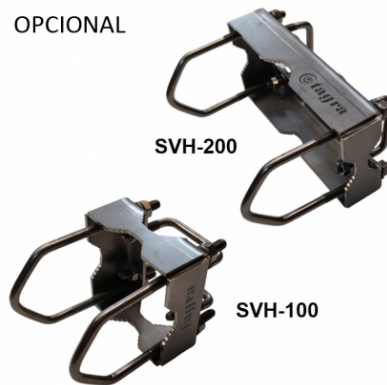
GPC-868 - OMNI GSM ANTENNA 868 MHz



Type	2 x 5/8
Power	125 W
Gain	5 dBd (7,15 dBi)
Impedance	50 ohm
Colour	White
R.O.E - S.W.R - T.O.S	1,5:1
Type mounting	Mast 0,030-0,045 m
Connector type	Female N connector
Radiator lenght	0,31 m
Polarization	Vertical
Adjust type	Adjusted
Support	Included
Radial length	0,065 m
Length	0,41 m
Weight	0,55 kg



OPCIONAL



All specifications are subject to change without notice.