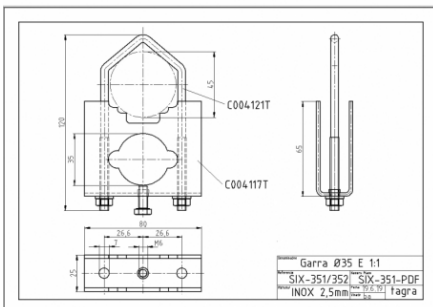
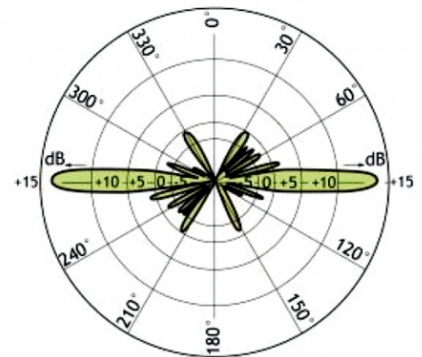
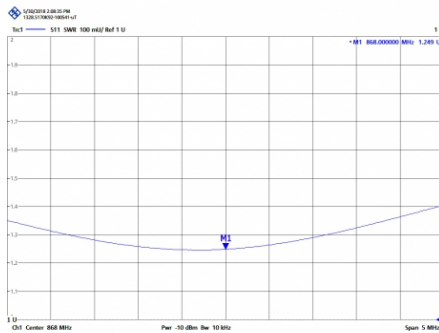


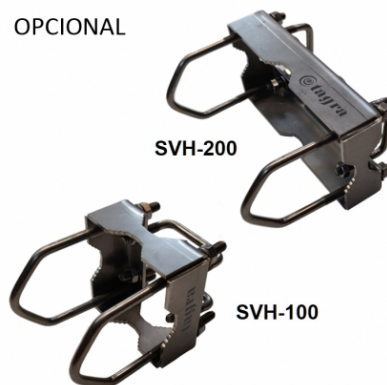
GPC-868/12 - OMNI GSM ANTENNA 868 MHz



Type	Colinear
Power	125 W
Gain	12 dBd (14,15 dBi)
Impedance	50 ohm
Colour	White
R.O.E - S.W.R - T.O.S	1,2:1
Type mounting	Mast 0,030-0,045 m
Connector type	Female N connector
Polarization	Vertical
Adjust type	Adjusted
Support	Included
Length	1,50 m
Weight	1,20 kg



OPCIONAL



All specifications are subject to change without notice.