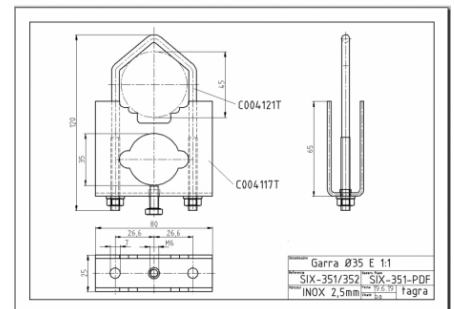
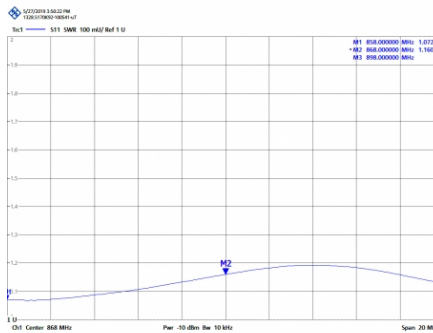
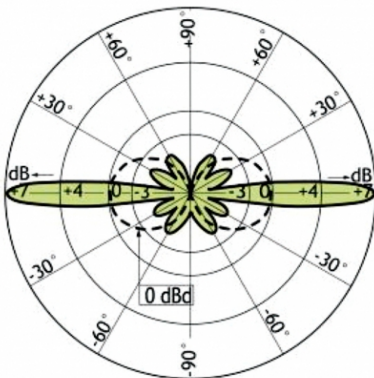
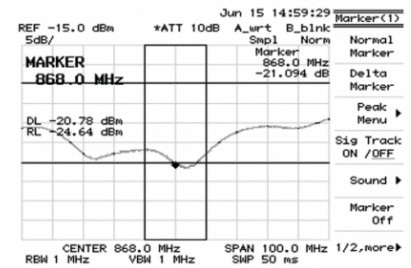


GPC-868/7 - OMNI GSM ANTENNA 868 MHz



Type	Ground plane 5/8
Power	125 W
Gain	7 dBd (9,15 dBi)
Impedance	50 ohm
Colour	White
R.O.E - S.W.R - T.O.S	1,2:1
Type mounting	Mast 0,030-0,045 m
Connector type	Female N connector
Radiator length	0,57 m
Polarization	Vertical
Adjust type	Adjusted
Support	Included
Radial length	0,065 m
Length	0,59 m
Weight	0,57 kg



All specifications are subject to change without notice.