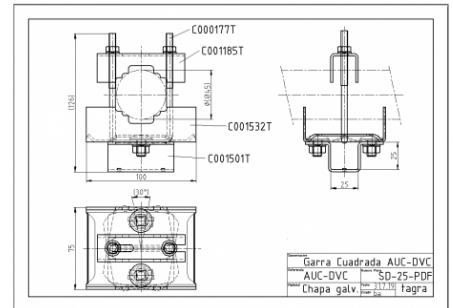
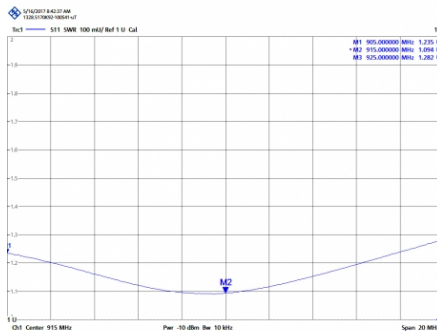


TMX-900/5 - YAGI GSM ANTENNA 860-960 MHz



Elements	5
Power	200W
Gain	8 dBd (10,21 dBi)
Impedance	50 ohm
Material	Anodized aluminum
R.O.E - S.W.R - T.O.S	1,5:1
Type mounting	Mast 0,030-0,045 m
Connector type	Female N connector
Polarization	Vertical and horizontal
Adjust type	Gamma Match
Front to back ratio	19 dBd
Support	Included
Element length	0,046 m
Length	0,46 m
Weight	0,86 kg



All specifications are subject to change without notice.