

SPECIFICATION

MODEL

CX-120P

IMPEDANCE/ 50 Ohms.

VOLTAGE

ACTUATION DATA :

VOLTAGE :

Pull in 10Vdc - 14Vdc (12Vdc Nominal)
 Drop out 3.0Vdc Min.
 Current 80mA @12Vdc 20°C
 Coil resistance ... 150 Ohms 10% 20°C

SWITCHING TIME

SWITCHING TIME :

Pull in 20ms typical.
 Drop out 15ms typical.
 LIFE EXPECTANCY ... 1,000,000. Operation min.

MECHANICAL

MECAHANICAL :

Contact arrangement SPDT
 Operational temperature - 25°C to + 50°C (Max Temperature Else:20c)
 Weight Approx 70gs.
 Mounting Printed board only

ELECTRICAL CHARACTERISTICS

ELECTRICAL CHARACTERISTICS :

Frequency	VSWR	Isolation	Ins.Loss	IN PUT
MHz	Max	-dB(min)	-dB(max)	RF Power
50	1.05	60	0.05	Kw 0.25
150	1.1	50	0.1	0.2
500	1.3	40	0.2	0.15
1000	1.4	29	0.25	0.15

COIL CHARACTERISTICS

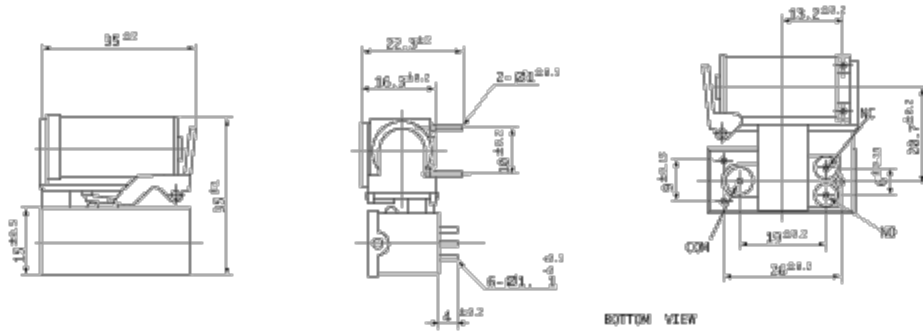
COIL CHARACTERISTICS :

Nominal Voltage	Voltage Range	Coil Resistance Ohms
12Vdc	10Vdc - 14Vdc	150 ±10% 20°C

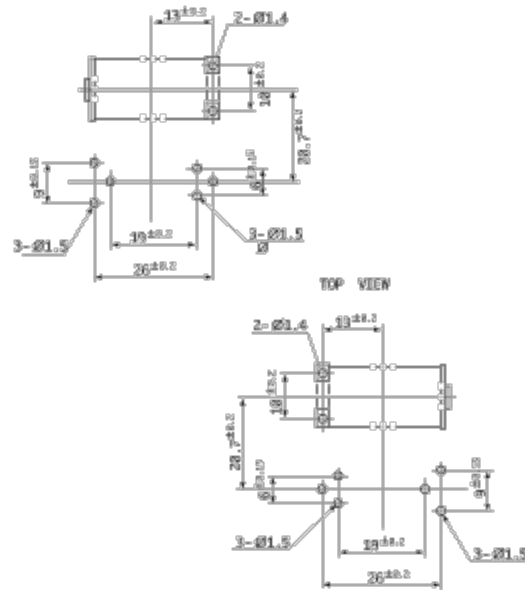
Note : Other voltages are also available at option.

DIMENSIONS

SCALE m/n

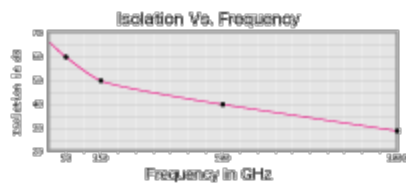
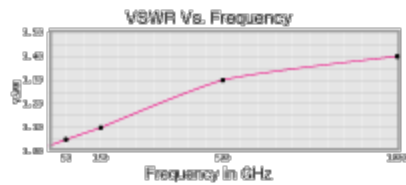


BOTTOM VIEW



TOP VIEW

Typical Operating Curves



Schematic

