



# SPECIFICATION

## MODEL

# CX-120A

IMPEDANCE/50 Ohms.

### VOLTAGE

#### ACTUATION DATA :

##### VOLTAGE :

Pull in ..... 10Vdc - 14Vdc (12Vdc Nominal)

Drop out ..... 3Vdc Min.

Current ..... 80mA @12Vdc 20°C

Coil resistance ... 150 Ohms 10% 20°C

### SWITCHING TIME

#### SWITCHING TIME :

Pull in ..... 20ms typical.

Drop out ..... 15ms typical.

LIFE EXPECTANCY ... 1,000,000. Operation min.

### MECHANICAL

#### MECAHANICAL :

Contact arrangement ..... SPDT

Operational temperature ..... - 25°C to + 50°C (Max Temperature Rise:20c)

Weight ..... Approx 70gs.

Mounting ..... Two screws

Cable connections ..... Directly connect cables.

### ELECTRICAL CHARACTERISTICS

#### ELECTRICAL CHARACTERISTICS :

Frequency MHz	VSWR Max	Isolation -dB(min)	Ins.Loss -dB(max)	IN PUT
				RF Power Kw
50	1.05	60	0.05	0.25
150	1.1	50	0.1	0.2
500	1.3	40	0.2	0.15
1000	1.4	29	0.25	0.15

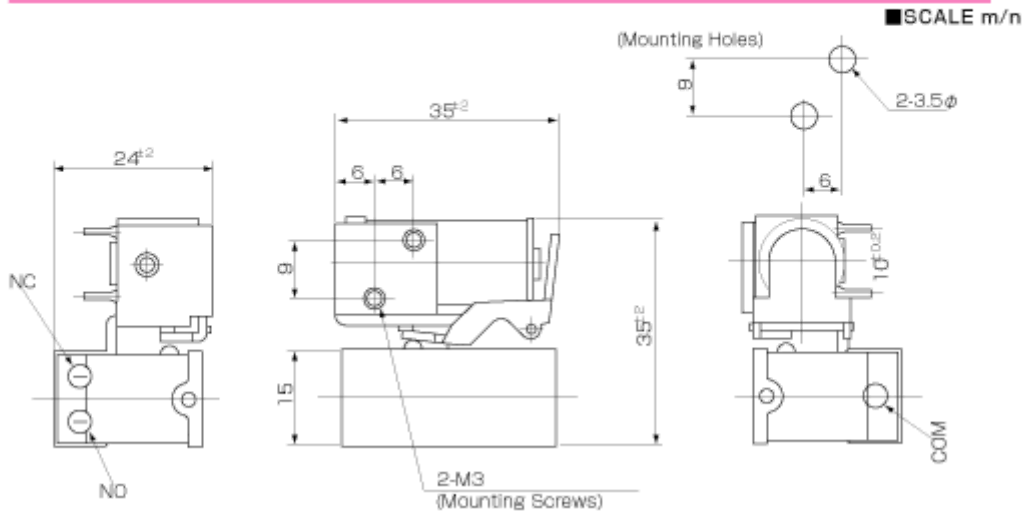
### COIL CHARACTERISTICS

#### COIL CHARACTERISTICS :

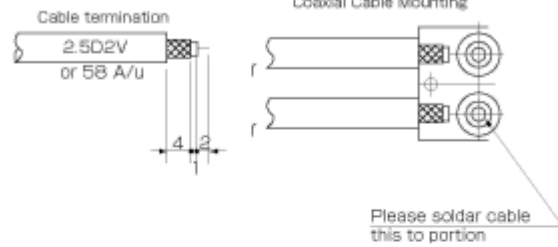
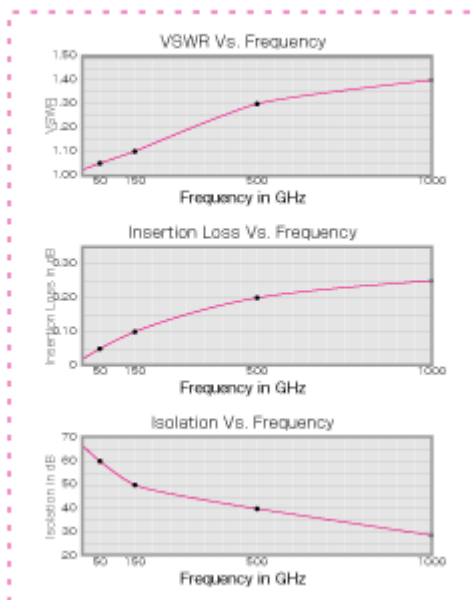
Nominal Voltage	Voltage Range	Coil Resistance Ohms
12Vdc	10Vdc - 14Vdc	150 ±10% 20

Note : Other voltages are also available at option.

## DIMENSIONS



## Typical Operating Curves



## Schematic

