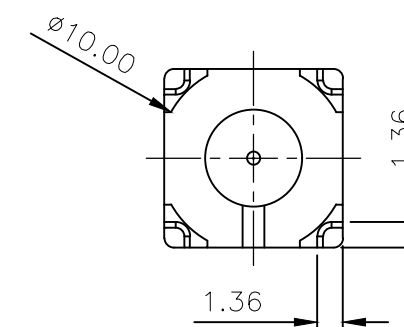
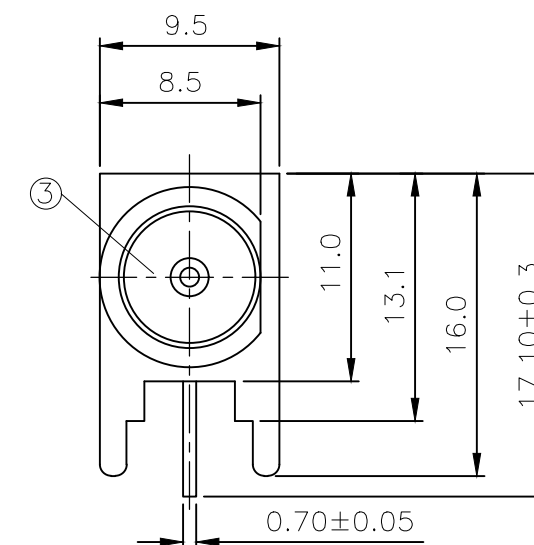
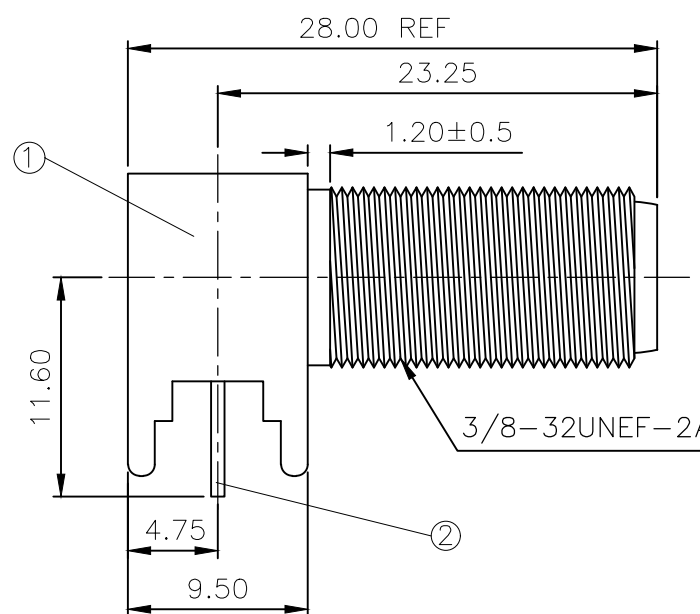
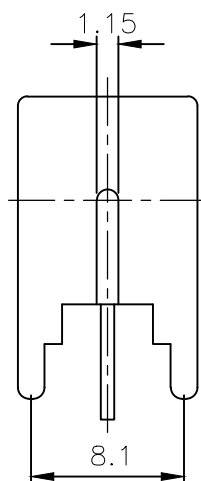


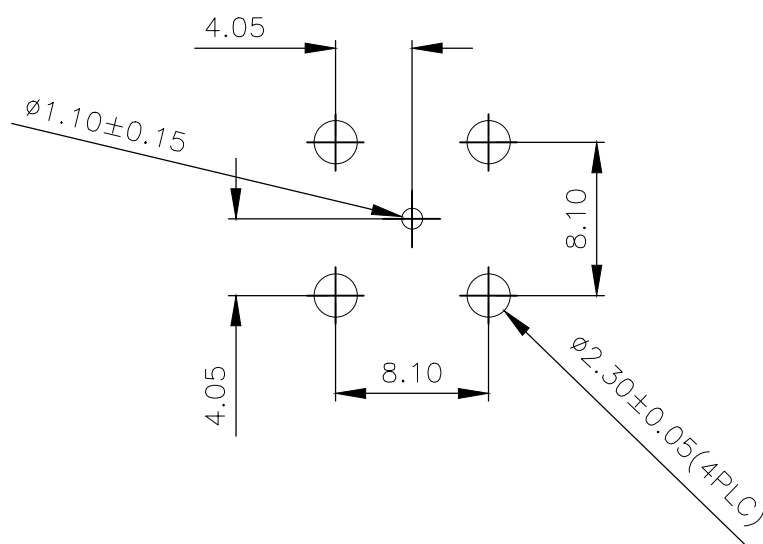
P	LTR	DESCRIPTION	DATE	DWN	APVD
	C1	ECR-19-006203	23APR2019	RZ	RS

NOTES

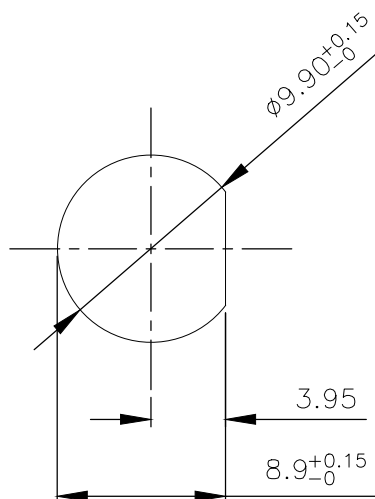
- ① PACKAGING: 50 PCS/TRAY, 20 TRAYS/CTN
- ② PACKAGING: SINGLE PACK, 1PC/BAG, 100 BAGS/BOX, 10 BOXES/CTN
- ③ TIN PLATING
- ④ Ni PLATING
- ⑤ PACKAGING: 100 PCS/BAG, 1BAG/BOX, 10 BOXES/CTN



RECOMMENDED PCB LAYOUT WITH MOUNTING POSTS



RECOMMENDED MOUNTING HOLE



QTY	QTY	QTY	MATERIAL	DESCRIPTION	ITEM
1	1	1	TPX	INSULATOR	3
1	1	1	PHOS BRONZE ③	CONTACT	2
1	1	1	ZINC ALLOY ④	BODY	1
5--2	5--1	5--0			
⑤	②	①			

THIS DRAWING IS A CONTROLLED DOCUMENT.		DWN ANSON MA 14FEB09	<b>STE</b> TE Connectivity		
DIMENSIONS: mm		CHK RITA ZUO 14FEB09			
TOLERANCES UNLESS OTHERWISE SPECIFIED:		APVD BOB ZHAO 14FEB09	NAME F SERIES CONNECTOR ELBOW JACK PCB		
0 PLC ± 0.5		PRODUCT SPEC 108-112000	SIZE CAGE CODE DRAWING NO RESTRICTED TO		
1 PLC ± 0.3		APPLICATION SPEC	A3 00779 C-1634540		
2 PLC ± 0.2		WEIGHT 0.000000	SCALE NTS SHEET 1 OF 1 REV C1		
3 PLC ± -		CUSTOMER DRAWING			
4 PLC ± -					
ANGLES ± -					
FINISH -					